



USER MANUAL

Sink Units

GENERAL FEATURES

- General construction in food quality stainless steel;
- Removable sink;
- Legs 40x40 tube with height-adjustable bat;
- Available with right, central or left hand sink;
- Models with 1 or 2 sinks.
-

TABLE OF CHARACTERISTICS


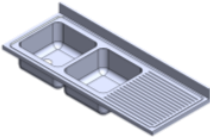

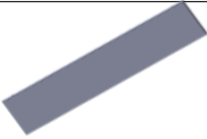
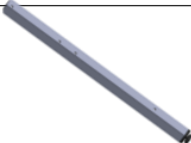
Model	Product dimensions WxDxH (mm)	Net Weight (Kg)	Gross Weight (Kg)	Packaging Dimensions WxDxH (mm)
1 SINK 400X400				
600x600	600X600X850	10	11,2	630x735x475
1000x600	1000X600X850	15,40	16,6	1115x735x475
1200x600	1200X600X850	18	21	1230x735x475
2 SINKS 400X400				
1200x600	1200X600X850	18	21	1230x735x475
1400x600	1400X600X850	20,70	23,7	1430x735x475
1500x600	1500X600X850	22	25	1530x735x475
1600x600	1600X600X850	23,36	26,36	1630x735x475
1 SINKS 400X500				
1000x600	1000X600X850	15,40	16,6	1030x735x475
1200x600	1200X600X850	18	21	1230x735x475
1400x600	1400X600X850	20,70	23,7	1430x735x475
1500x600	1500X600X850	22	25	1530x735x475
1600x600	1600X600X850	23,36	26,36	1630x735x475
1800x600	1800X600X850	26	29	1830x735x475
2000x600	2000X600X850	28,68	31,68	2030x735x475
1000x700	1000X700X850	15,85	17,05	1030x735x475
1200x700	1200X700X850	18,5	21,5	1230x735x475
1400x700	1400X700X850	21,17	24,17	1430x735x475
1500x700	1500X700X850	22,5	25,5	1530x735x475
1600x700	1600X700X850	23,83	26,83	1630x735x475
2 SINKS 400X500				
1200x600	1200X600X850	18	21	1230x735x475

1400x600	1400X600X850	20,70	23,70	1430x735x475
1500x600	1500X600X850	22	25	1530x735x475
1600x600	1600X600X850	23,36	26,36	1630x735x475
1800x600	1800X600X850	26	29	1830x735x475
2000x600	2000X600X850	28,68	31,68	2030x735x475
1200x700	1200X700X850	18 ,5	21,5	1230x735x475
1400x700	1400X700X850	21,17	24,17	1430x735x475
1500x700	1500X700X850	22,5	25,5	1530x735x475
1600x700	1600X700X850	23,83	26,83	1630x735x475
1800x700	1800X700X850	26,5	29,5	1830x735x475
2000x700	2000X700X850	29,15	32,15	2030x735x475
1 SINKS 500X500				
1000x700	1000X700X850	15,85	17,05	1030x735x475
1200x700	1200X700X850	18,5	21,5	1230x735x475
1400x700	1400X700X850	21,17	24,17	1430x735x475
1500x700	1500X700X850	22,5	25,5	1530x735x475
1600x700	1600X700X850	23,83	26,83	1630x735x475
1800x700	1800X700X850	26,5	29,5	1830x735x475
2000x700	2000X700X850	29,15	32,15	2030x735x475
2 SINKS 500X500				
1200x700	1200X700X850	18,5	21,5	1230x735x475
1400x700	1400X700X850	21,17	24,17	1430x735x475
1500x700	1500X700X850	22,5	25,5	1530x735x475
1600x700	1600X700X850	23,83	26,83	1630x735x475
1800x700	1800X700X850	26,5	29,5	1830x735x475
2000x700	2000X700X850	29,15	31,15	2030x735x475
2 SINKS 500X600				
1800x700	1800X700X850	26,5	29,5	1830x735x475
2000x700	2000X700X850	29,15	31,15	2030x735x475

PRINCIPLE OF OPERATION

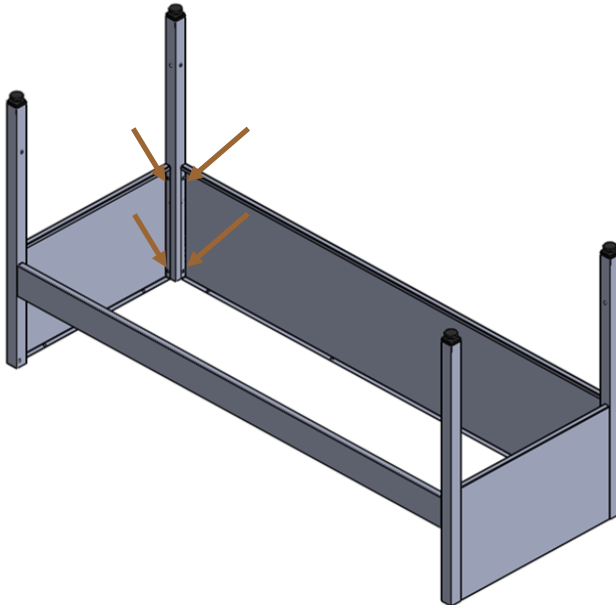
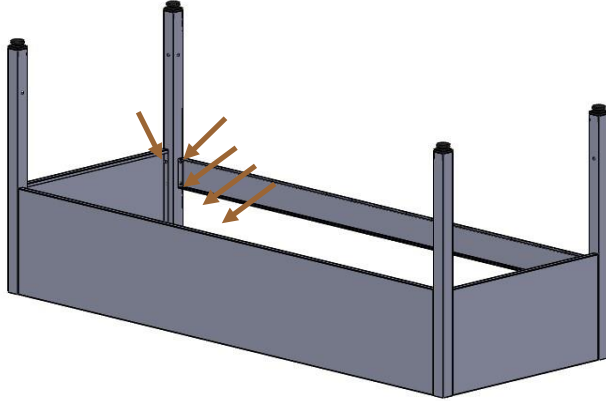
- The operation of the Dishwashers requires no energy consumption, being based on washing the dishes with an outlet system through a drain valve.
- There are models that also contain a drainer for placing the dishes to drain.

OPERATING ELEMENTS

Mounting elements (depending on the dimensions and models chosen)					
1	Kit Set	Composto por: 16x Paraf.M6x12 10x Paraf.M5x16 1x Cifão	1	Rear cross bar	
1	Worktop with bowl		2	Sides	
1	Front panel		4	Props legs with buffers	

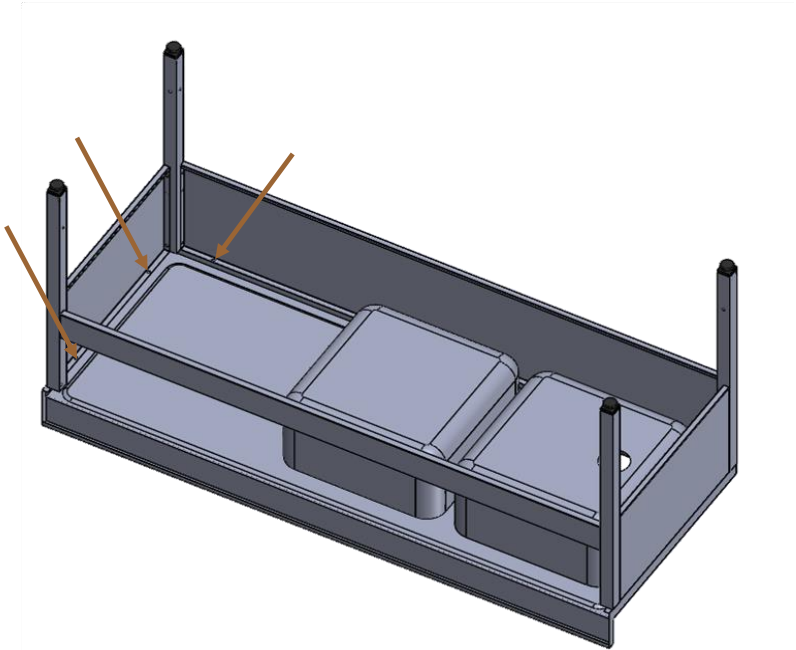
ASSEMBLY DIAGRAM

- 1º Assemble the structure according to the image (everything screwed with the screws M6);



- 2º Apply the plug and screw it underneath (Screw M6);

- 3° Apply the ciphon and make the connections to the pipes.



INSTRUCTIONS FOR USE

- After mounting the Industrial sink, install it in the desired location and connect the water inlet and outlet.

WARNING: It is recommended that the connection to the sewer should be made with rigid PVC pipe

MAINTENANCE AND CLEANING

- As it contains no electrical parts, the appliance can be immersed in water for more effective cleaning;
- When cleaning the appliance, do not use abrasive products which could damage it;

We recommend the use of a stainless steel cleaner.

WARRANTY

- The equipment is guaranteed for a period of 12 months from the date of purchase.
- The guarantee is valid against original defects in materials and workmanship.
- Whenever there is an anomaly in the equipment, it must be returned as soon as possible, enclosing the purchase document.
- When the guarantee is activated, damaged parts shall be repaired or replaced at the discretion of the manufacturer. In the event of replacement, the damaged parts shall become the property of the supplier.
- Any and all faults resulting from faulty installation or use/handling of the equipment are excluded from the scope of the guarantee.
- The equipment will lose its guarantee whenever any alteration/modification or even repair carried out by the user is identified.

PNH BY PINHA
RUA DO ALTO - VALE DO GROU – APARTADO 86
3750 - 064 AGUADA DE CIMA

TEL. +351 234 622 889 FAX. +351 234 624 044
comercial@pnh-bypinha.pt www.pnh-bypinha.pt